

PORTABLE RAPID LIFT

MODEL - PRL-3500

3.5T

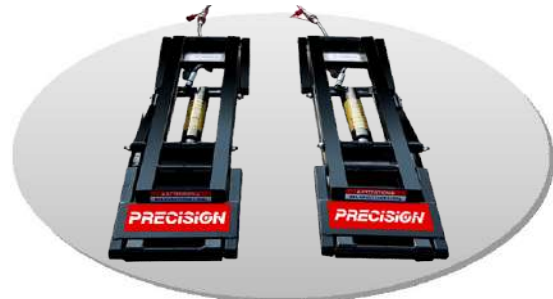


- Lightweight Frame type body design.
- Light body takes up less space
- Driven by powerful Electro-hydraulic system.
- Equipped with hydraulic synchronization and mechanical lock rod for the double safety.
- Equipped with wheels, for easy mobility or adjust lifting position.
- Applicable to the Tyre shop, for Quick repairs, Car decoration, for external modifications etc.

HIGHLIGHTS



OPTIONAL



HIGHLIGHTS



QUICK REPAIRING



WATER PROOF



RUGGED & STABLE



MECHANICAL LOCKING

POWER UNIT

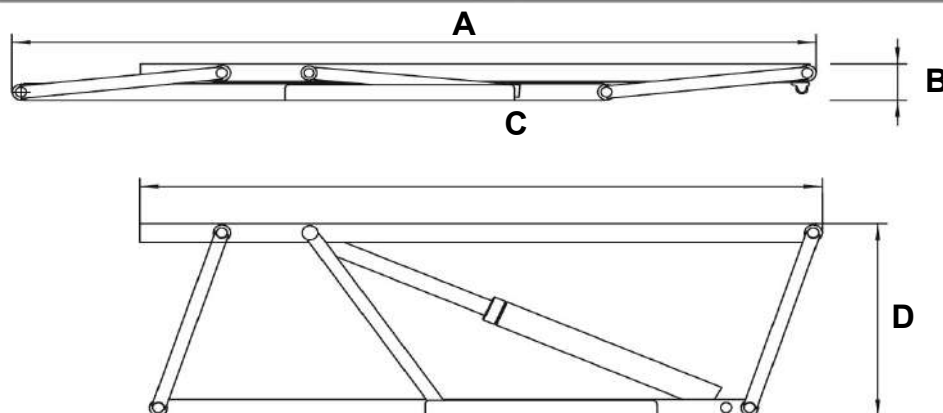
POWER UNIT: 220VAC



TECHNICAL SPECIFICATIONS

Maximum Lifting Capacity	3500 Kg
(A) Frame Length	1746 mm
(B) Minimum Height	88 mm
(C) Single Frame Length	1468 mm
(D) Maximum Lifting Height	460 mm
Single Frame Width	315 mm
Weight of One frame	42 kg.
Weight of power unit	20 kg.
Rising / Lowering Time	20~30 sec.
Oil tank capacity	4L

DIMENSIONS



* Specifications subject to change without notice

** Images shown are for representation purpose only. Accessories & features shown in the picture may not be part of the standard equipment

PRECISION TESTING MACHINES PVT. LTD.

HEAD OFFICE: S-12, Okhla Industrial Area, Phase - II, New Delhi - 110 020 (India)

Tel.: 011-4161-0000 (4 lines), 2638-6612 Fax: 011-26383790

E-mail : sales@precisionworld.net / service@precisionworld.net / www.precisionworld.net

2



STORE TO BUY GENUINE **PRECISION** LIGHT EQUIPMENT & CONSUMABLES
Visit www.ptmeway.com