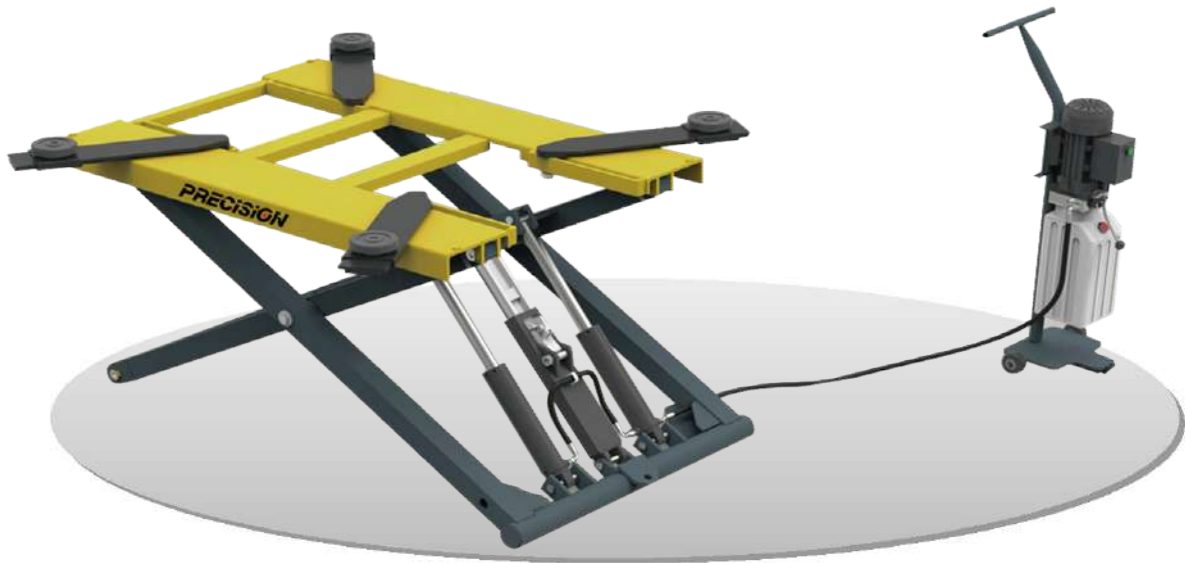


MOBILE ELECTRO - HYDRAULIC WHEEL SERVICE MID-RISE SCISSOR LIFT

MODEL - PPL-2008

3.0T



- Specialised lift which fits perfectly into the car service and body repair shop
- Mobile midrise scissor lift for cars, vans and light-duty trucks. Ideal for tyre, wheel and brake related repairs, collision repair work and new car preparation
- Portable easy to move with wheel kit
- Thanks to the parallelogram structure, the central skate with heavy duty wheels, the telescopic pivoting arms and its ideal lifting height.
- Portable trolley supports pump and moves lift
- Dual cylinders and scissor lift design for maximum strength and stability
- Automatic mechanical release by novel trip-over mechanism at the highest position
- Hydraulic safety device in case of failure of hydraulic hoses
- Easily adjustable sliding radius arms
- Electro hydraulic power system

HIGHLIGHTS



MOBILE POWER UNIT



DUAL CYLINDER & MECHANICAL RELEASE

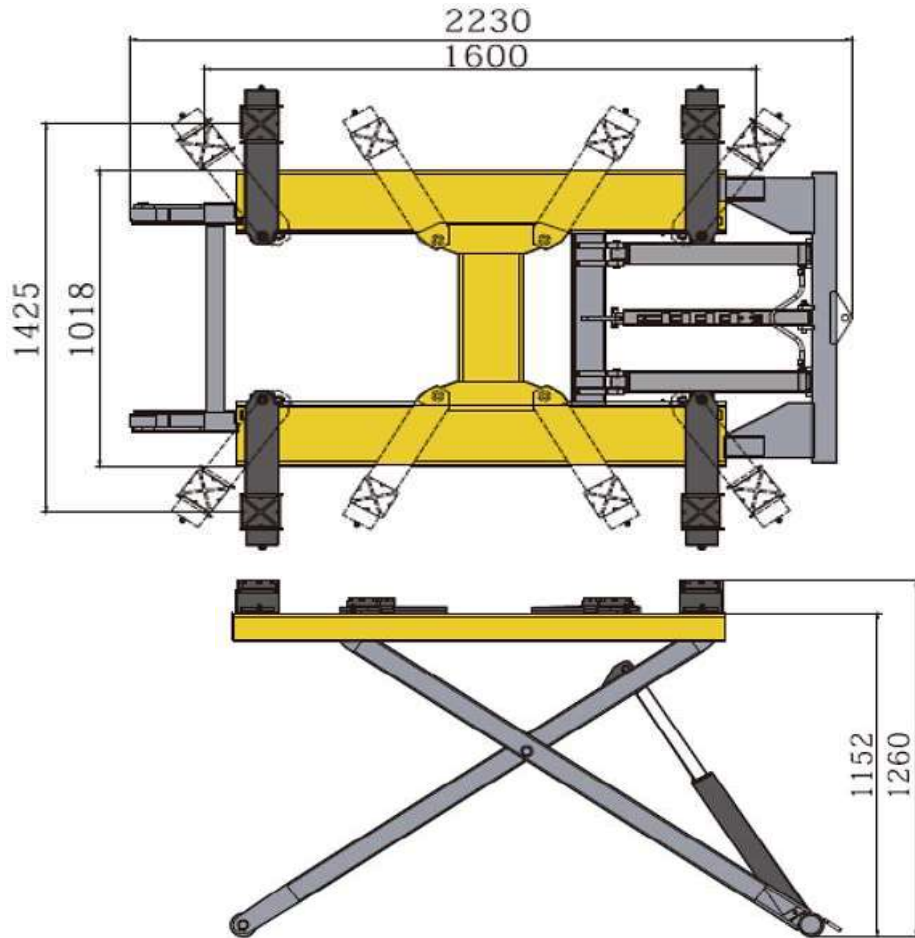


ROBUST STEEL STRUCTURE

TECHNICAL SPECIFICATIONS

Capacity	3000 Kg
Overall Length	2230 mm
Minimum Height	118 mm
Maximum Lifting Height	1152 mm
Maximum Lifting Height with Adaptors	1260 mm
Overall Width	1018 mm
Lifting time	35 Sec
Lowering time	23 Sec
Power Supply	220V / 400V
Frequency	50 Hz
Working Pressure	20Mp (2800PS)

DIMENSIONS



* Specifications subject to change without notice

** Images shown are for representation purpose only. Accessories & features shown in the picture may not be part of the standard equipment

PRECISION TESTING MACHINES PVT. LTD.

HEAD OFFICE: S-12, Okhla Industrial Area, Phase - II, New Delhi - 110 020 (India)

Tel.: 011-4161-0000 (4 lines), 2638-6612 Fax: 011-26383790

E-mail : sales@precisionworld.net / service@precisionworld.net / www.precisionworld.net



STORE TO BUY GENUINE **PRECISION** LIGHT EQUIPMENT & CONSUMABLES
Visit www.ptmeway.com